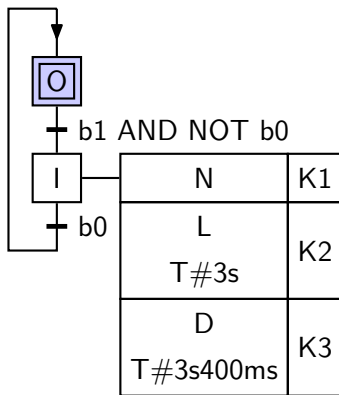


Delta-star motor starter with dead time in SFC: 1

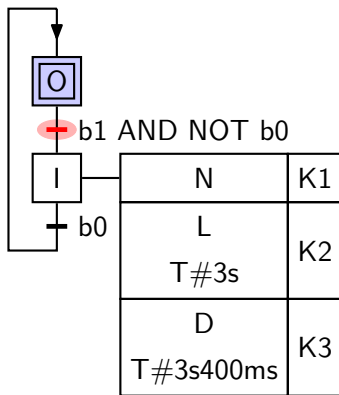
Delta-star with dead time:

- ▶ initially, the motor is off



Copyright (C) 2018 by Luis Paulo Laus, laus@utfpr.edu.br

Delta-star motor starter with dead time in SFC: 2

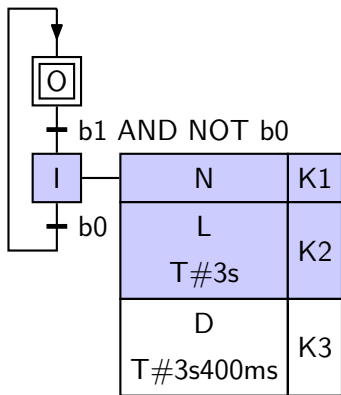


Delta-star with dead time:

- ▶ initially, the motor is off
- ▶ b1 is pressed

Copyright (C) 2018 by Luis Paulo Laus, laus@utfpr.edu.br

Delta-star motor starter with dead time in SFC: 3

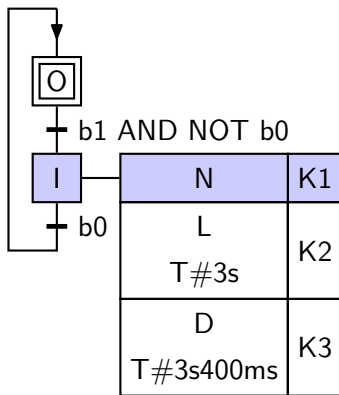


Delta-star with dead time:

- ▶ initially, the motor is off
- ▶ b1 is pressed
- ▶ K1 and K2 are activated – star

Copyright (C) 2018 by Luis Paulo Laus, laus@utfpr.edu.br

Delta-star motor starter with dead time in SFC: 4

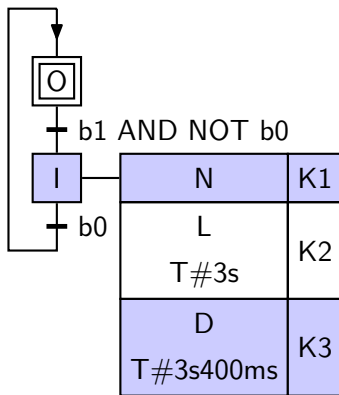


Delta-star with dead time:

- ▶ initially, the motor is off
- ▶ b1 is pressed
- ▶ K1 and K2 are activated – star
- ▶ after 3 s, K2 is deactivated – dead time

Copyright (C) 2018 by Luis Paulo Laus, laus@utfpr.edu.br

Delta-star motor starter with dead time in SFC: 5

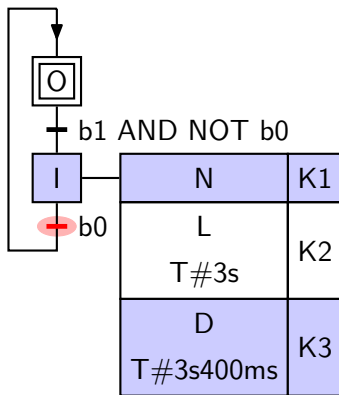


Delta-star with dead time:

- ▶ initially, the motor is off
- ▶ b1 is pressed
- ▶ K1 and K2 are activated – star
- ▶ after 3 s, K2 is deactivated – dead time
- ▶ after 0.4 s, K3 is activated – delta

Copyright (C) 2018 by Luis Paulo Laus, laus@utfpr.edu.br

Delta-star motor starter with dead time in SFC: 6

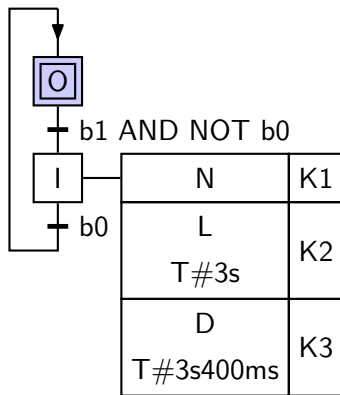


Delta-star with dead time:

- ▶ initially, the motor is off
- ▶ b1 is pressed
- ▶ K1 and K2 are activated – star
- ▶ after 3 s, K2 is deactivated – dead time
- ▶ after 0.4 s, K3 is activated – delta
- ▶ b0 is pressed

Copyright (C) 2018 by Luis Paulo Laus, laus@utfpr.edu.br

Delta-star motor starter with dead time in SFC: 7



Delta-star with dead time:

- ▶ initially, the motor is off
- ▶ b1 is pressed
- ▶ K1 and K2 are activated – star
- ▶ after 3 s, K2 is deactivated – dead time
- ▶ after 0.4 s, K3 is activated – delta
- ▶ b0 is pressed
- ▶ motor is off

Copyright (C) 2018 by Luis Paulo Laus, laus@utfpr.edu.br